



SAE Charge Coupler Connector

Along with the increasing awareness of environmental protection, more and more people are eager to use green energy to protect and improve the surrounding environment. Meanwhile, the government also encourages and advocates green travel, using the green energy vehicles, to achieve the energy conservation and emission reduction target. Europe will be the second largest electric vehicle market in the world after China. In 2018, the sales volume of electric vehicles in Europe was about 430,000, increased 41% year on year; in 2017 the sales volume was 307,000, increase 39% compared to 2016. At the same time, with the improvement of charging facilities and the large-scale use of electric vehicles in various car rental markets, electric vehicles will gradually become more popular. As one of the standard-settler for conductive charging connection devices of electric vehicles, Chilye' s product design concept and quality take a leading position in the industry.



Revision	Description	Date	Modified by
REV_A	First Released	2021/4/19	Evan.zhang

▲ If you want to know more information about this series products, please feel free to contact with us.

SUZHOU CHILYE GREEN TECHNOLOGY CO.,LTD.

Address: No.2 Rui en Lane, Xingpu Road, Suzhou Industrial Park, Jiangsu Province, China

Tel: 0512-69566052 Fax: 0512-69566055

Email: evsales@chilye.com



Applications

Conductive charging of Electric Vehicles

Mechanical

Durability: $\geq 100\ 00$ mating cycles
Connection: Crimped connections
Mating Force: ≤ 70 N

Electrical

Rated Voltage: 120/240Vac
Rated Current : 12A/16A/20A/32A/50A/80A
Insulation Resistance: $>200M\Omega$ (500Vdc)
Withstand voltage: 2000V ac

Environmental

Protection grade: IP55 (With dust cap);
Electrical protection: IP2XB (No dust cap)
Operating temperature: -40°C to 50°C
Storage temperature: -40°C to 85°C

Certification

UL certified
CUL Mark authorization

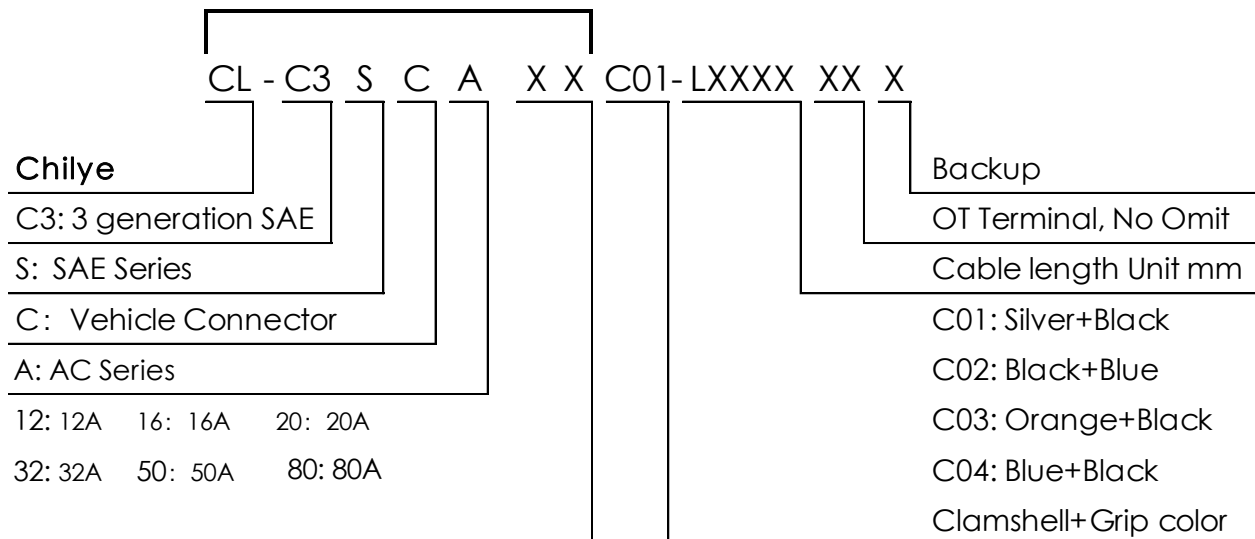
Standards

SAE J1772
UL 2251



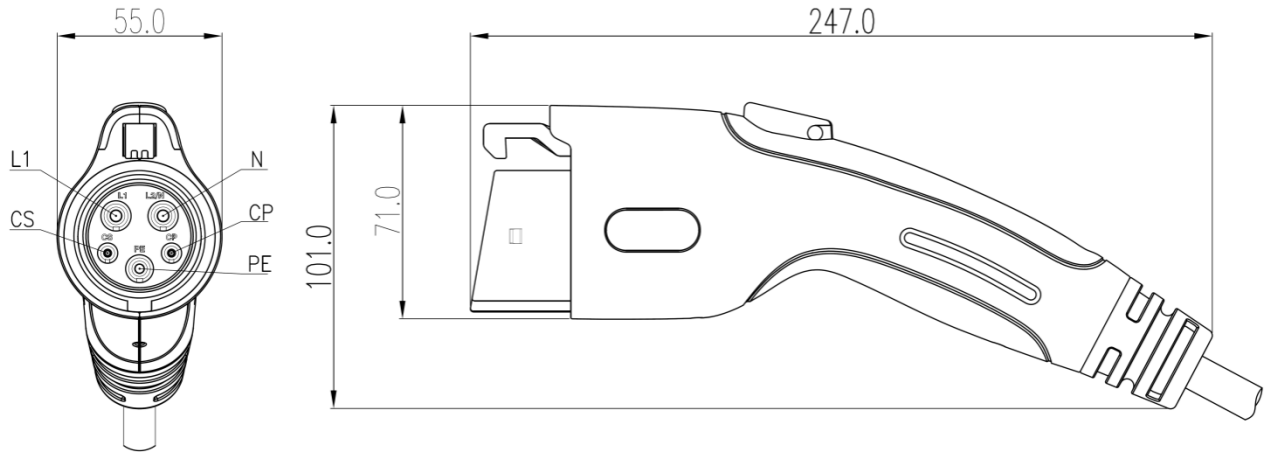
Product model instruction

UL certified Model





3. Vehicle connector --- Product outline dimensions



SAE J1772

Mode 2&3 Case B&C connection

It is composed of vehicle connector and cable, providing 12A,16A with 120Vac and 16A,20A, 32A,50A with 240Vac power for charging electric vehicle.



◆ Cables

Level 1(120Vac): 12A, 16A, 3*14AWG+1*18AWG;

Level 2(240Vac): 16A, 20A, 3*14AWG+1*18AWG; 32A , 3*10AWG+1*18AWG
50A 2*8AWG+1*10AWG+1*18AWG

Wire color : L---Brown; N---Blue; PE---Yellow green ;CP---Orange/White









Product Selection

Product Model	Rated Current (A)	Cable Size (A)	Cable Diameter	Level
CL-C3SCA12	12	14	Φ13.6±0.3	Level 1
CL-C3SCA16	16	14	Φ13.6±0.3	Level 1&Level 2
CL-C3SCA20	20	14	Φ13.6±0.3	Level 2
CL-C3SCA32	32	10	Φ16.3±0.5	Level 2
CL-C3SCA50	50	8	Φ20.5±0.5	Level 2
CL-C3SCA80	80	6	Φ19.4±0.5	Level 2



6. Vehicle connector --- Color selection



序号 Item	颜色代码 Color code	外体颜色Clamshell color			包胶颜色Overmold Grip Color			组合颜色 Combined Color
		Description	Color No.	Color Card	Description	Color No.	Color Card	
1	C01	Silver	7541C		Black	446C		SL+BL
2	C02	Black	446C		Blue	2194C		BK+BL
3	C03	Orange	1505C		Black	446C		OR+BK
4	C04	Blue	2194C		Black	446C		BL+BK