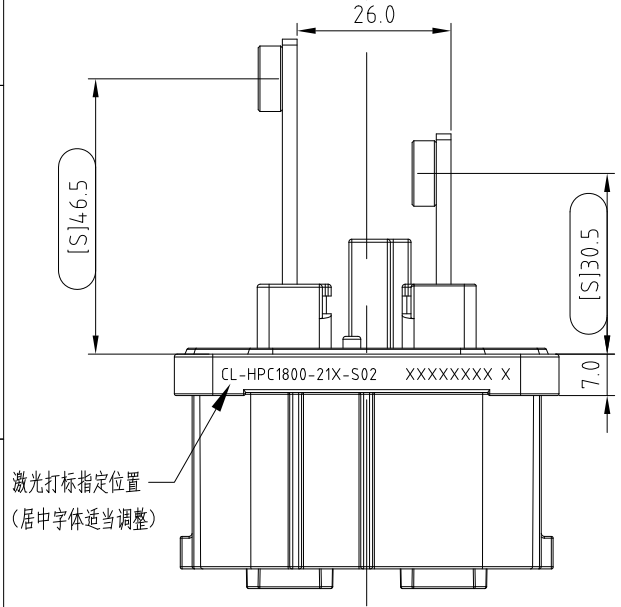
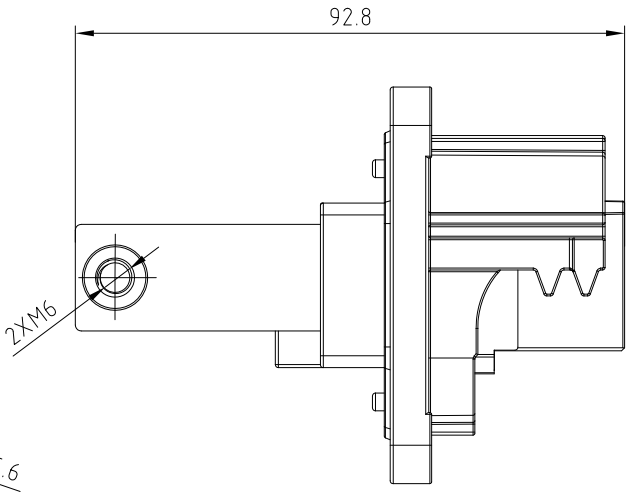
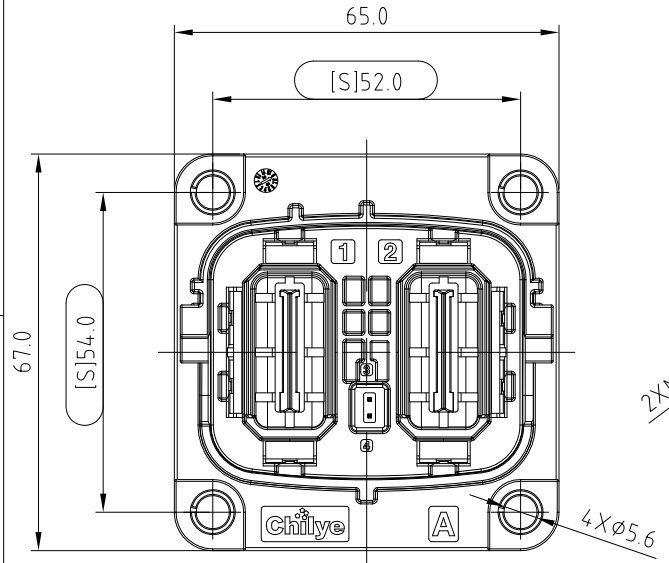
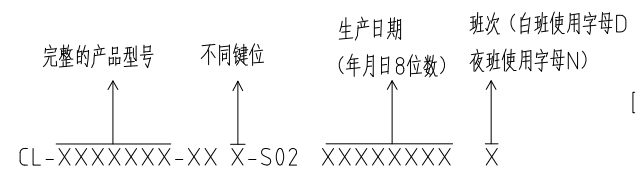


版本 REV	工程变更号 ECN No.	变更描述 CHANGED DESCRIPTION	日期 DATE	修改人 MODIFIED BY
A		首次发行 (FIEST RELEASE)	2024/2/22	刘冰冰



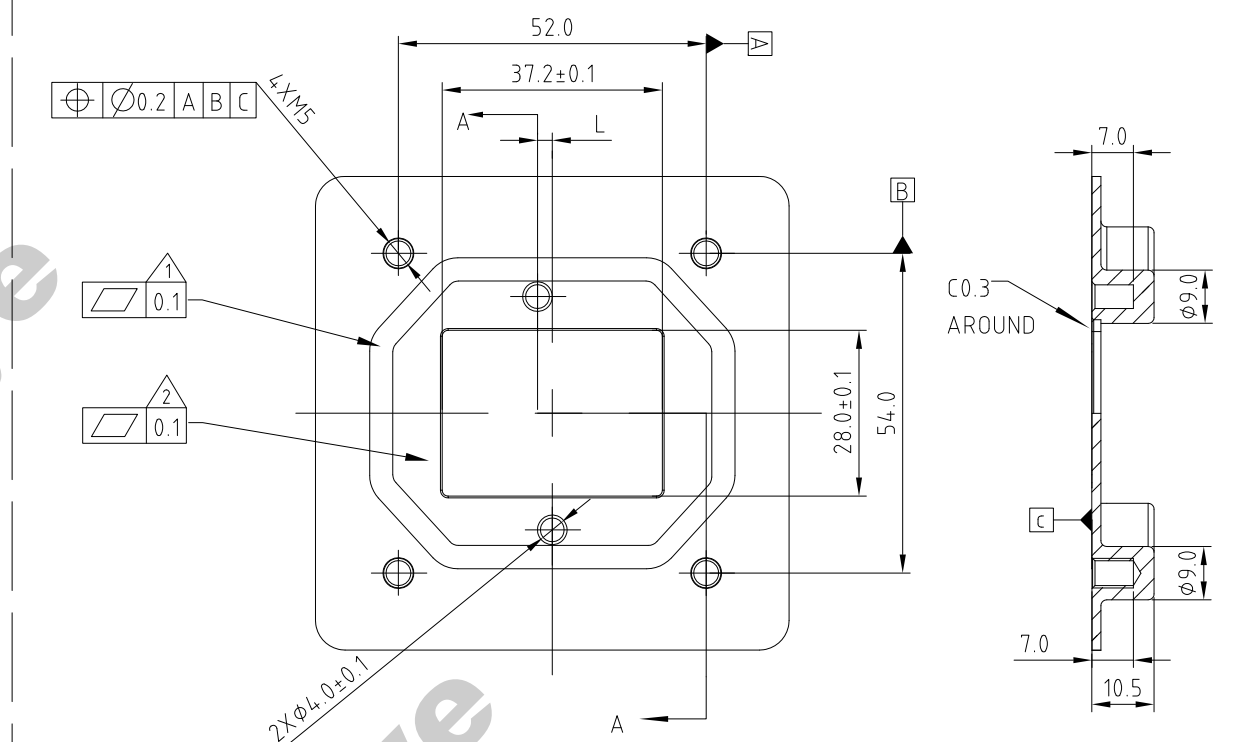
激光打标指定位置
(居中字体适当调整)

激光打标打标内容和格式说明:



技术描述:

- 插拔寿命: 大于100次;
DURABILITY IS MORE THAN 100TIMES;
- 额定电压: 1000V DC;
RATED VOLTAGE: 1000V DC;
- 额定电流: 280A;
RATED CURRENT: 280A;
- 绝缘阻抗: 1000V DC; 60S; $\geq 200M\Omega$ (下线检测时间5S)
INSULATION RESISTANCE: 1000V DC; 60S; $\geq 200M\Omega$;
(OFFLINE DETECTION TIME 5 SECONDS)
- 耐压: 3000V AC; 60S; 无击穿、断裂, 漏电流 $\leq 5MA$ (下线检测时间5S)
WITHSTANDING VOLTAGE: 3000V AC; 60S; NO BREAKDOWN; FRACTURE;
LEAKAGE CURRENT $\leq 5MA$ (OFFLINE DETECTION TIME 5 SECONDS);
- 防护等级: IP67, IP6K9K (已插合);
IP2XB (未插合);
IP RATING: IP67, IP6K9K (MATED);
IP2XB (UNMATED);
- 工作温度: $-40^{\circ}C$ 至 $125^{\circ}C$;
OPERATION TEMPERATURE: $-40^{\circ}C$ 至 $125^{\circ}C$;
- 阻燃等级: UL94V-0;
FIRE RATING: UL94V-0;
- 螺丝扭力:
M5 $5 \pm 1.2N.m$; M6 $8 \pm 2.1N.m$;
SCREW TORQUE:
M5 $5 \pm 1.2N.m$; M6 $8 \pm 2.1N.m$;
- 螺丝头或垫片外径: $9 \sim 11mm$ 。
SCREW HEAD OR WASHER OD: $9 \sim 11mm$ 。
- 材料符合ROHS和REACH要求
THE MATERIAL MEETS ROHS AND REACH REQUIREMENTS
- 材料符合禁用物质要求
THE MATERIAL MEETS THE REQUIREMENTS OF A PROHIBITED SUBSTANCE

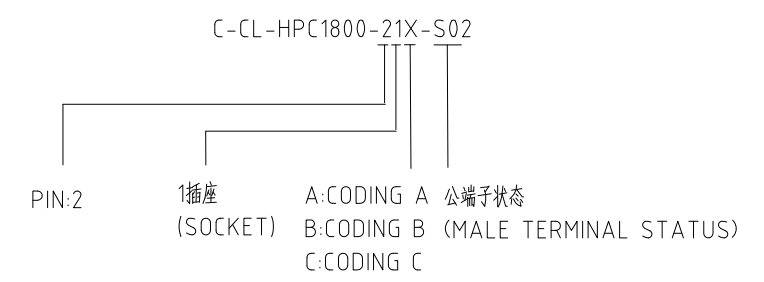


安装接口规范/MOUNTING INTERFACE

- 密封区域: 无分型面, 无毛刺、收缩、短射/耐腐蚀表面粗糙度
RA $\leq 1.6\mu m$ 或者RZ $\leq 10\mu m$
SEALING AREA: NO PARTING LINE, NO BURRS, SHRINKAGE, SHORT SHOT/CORROSION RESISTANCE SURFACE ROUGHNESS: RA $\leq 1.6\mu m$ OR RZ $\leq 10\mu m$
- 屏蔽接触面: 导电, 耐腐蚀
SHIELDING CONTACT SURFACE, ELECTEONDUCTIVE, CORROSION RESISTANCE

C	-2.5
B	5
A	2.5
CODING	DIM L

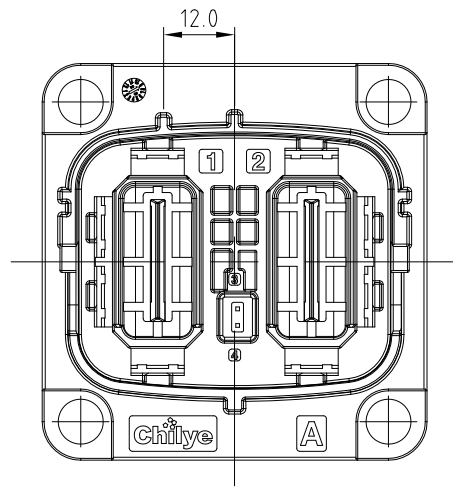
料号说明: (PRODUCT MODEL INSTRUCTION)



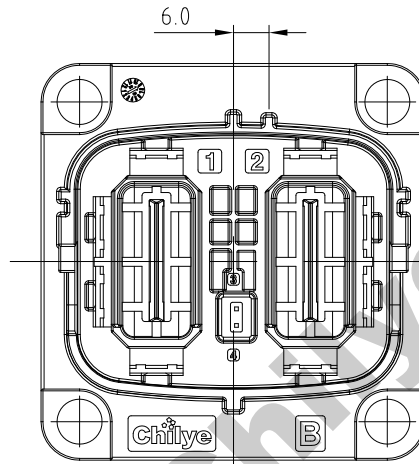
THE DOCUMENT CONTAINS INFORMATION WHICH IS PROPRIETARY TO CHILYE AND SHOULD NOT BE USED WITHOUT WRITTEN PERMISSION				Chilye 智绿			产品名称/PART NAME HPC1800-21X-S02 插座				
X.X ±0.3	X° ±1°	第一视角 PROJECTION	设计 DESIGNER	刘冰冰	2024/2/22	文件类型 DOCUMENT	图纸编号/DRAWING NUMBER C-CL-HPC1800-21X-S02				
X.XX ±0.1	X.X° ±0.5°	标准化 STANDARDIZATION	审核 CHECKED			CAD	图纸页数 SHEET	单位 UNIT	图纸 SIZE	比例 SCALE	版次 REV
重量 WEIGHT			核准 APPROVED			1/3	mm	A3			A

开孔图 (MOUNTING INTERFACE)

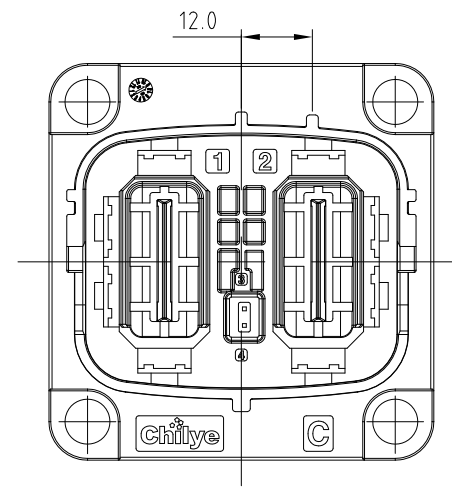
CODING A



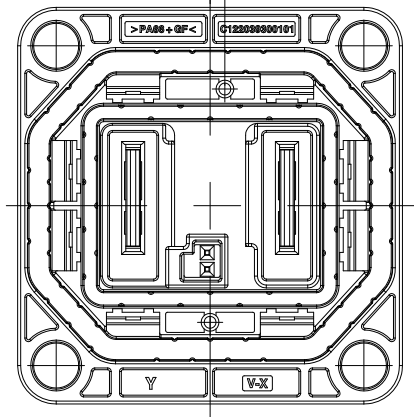
CODING B



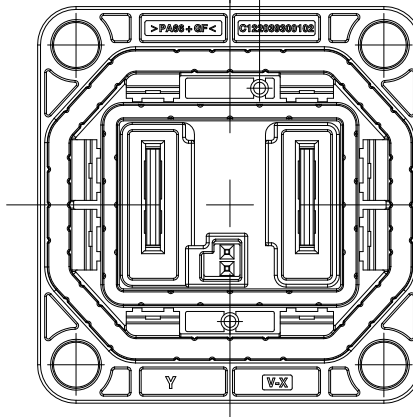
CODING C



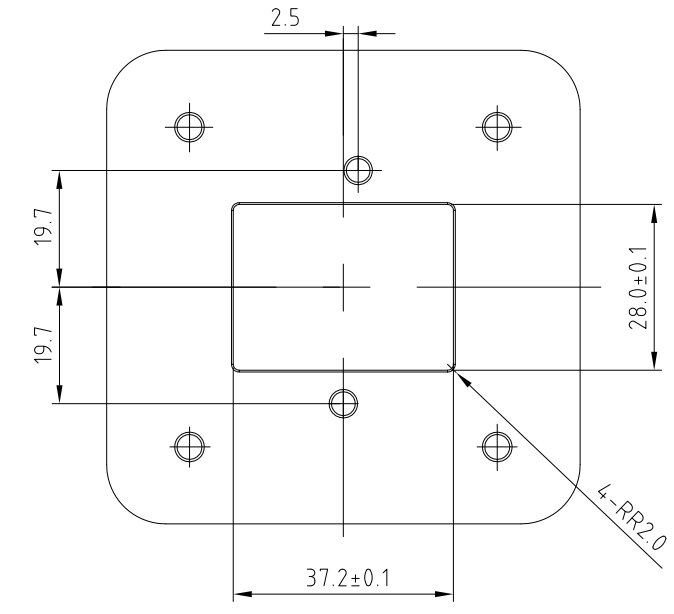
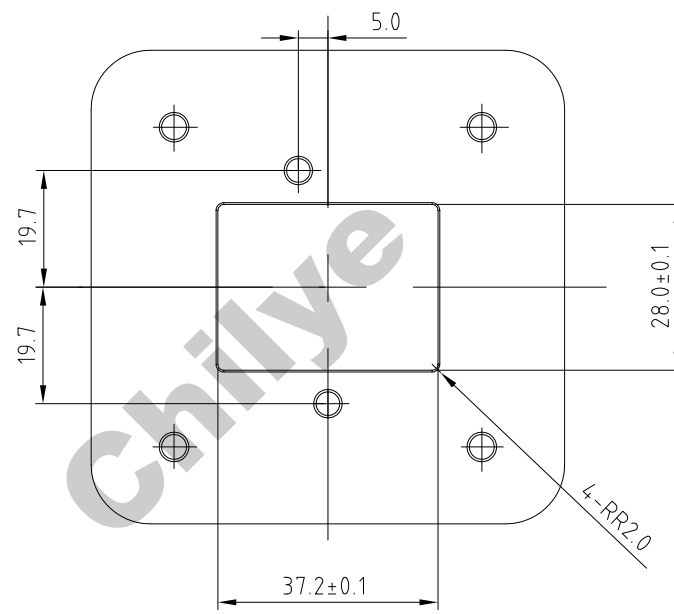
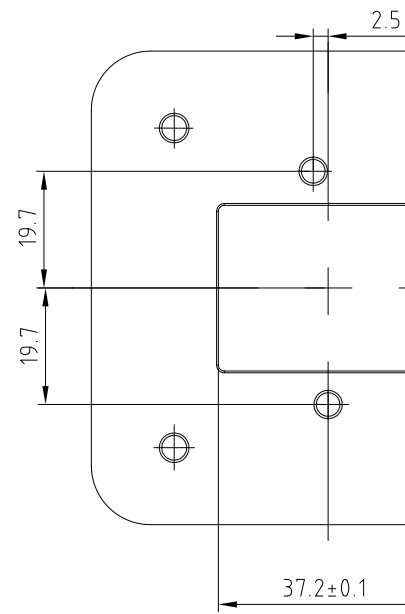
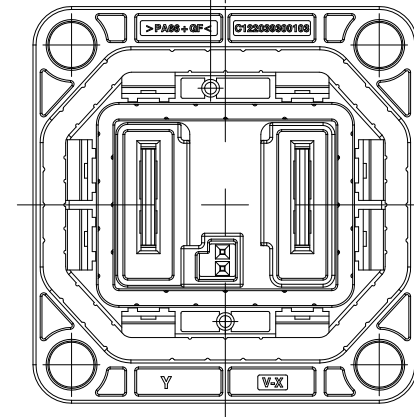
2.5



5.0

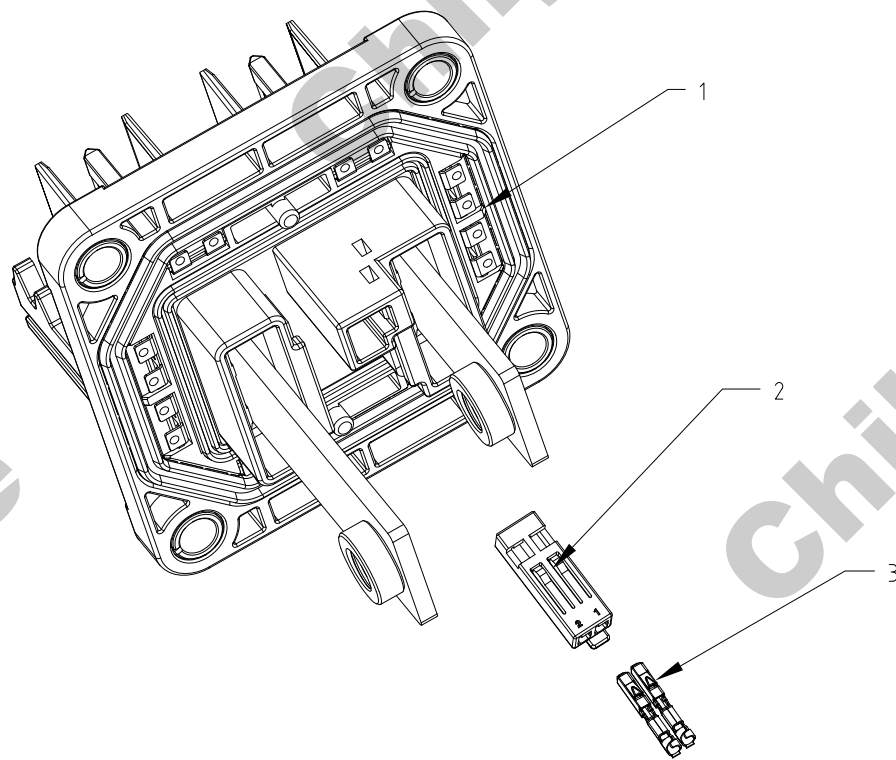


2.5



文件类型 DOCUMENT	图纸编号/DRAWING NUMBER			
CAD	C-CL-HPC1800-21X-S02			
图纸页数 SHEET	单位 UNIT	图纸 SIZE	比例 SCALE	版次 REV
2/3	mm	A3	✗	A

HPC1800-21X-S02两芯插座成品爆炸图 (HPC1800-21X-S02 EXPLODED IMAGE OF THE FINISHED TWO-PINSOCKET)



3	E1122003001	信号母端子 Signal receptacle	2	
2	C1220393010	信号母端子壳 Signal receptacle housing	1	
1.3	CH10039300203	插座组件C Socket assembly C	1	
1.2	CH10039300202	插座组件B Socket assembly B	1	
1.1	CH10039300201	插座组件A Socket assembly A	1	
ITEM/序号	SN/料号	DESCRIPTION/名称	QTY/数量	REMARK/备注

文件类型 DOCUMENT	图纸编号/DRAWING NUMBER			
CAD	C-CL-HPC1800-21X-S02			
图纸页数 SHEET	单位 UNIT	图纸 SIZE	比例 SCALE	版次 REV
3/3	mm	A3	 	A